

Precision Shear Web Disk



FEATURES

- Capacities 200kg-30t
- Compact size with low profile
- Low deflection for high output
- Off center load compensated (200 kg is made of aluminum alloy)
- Electroless nickel-plated alloy tool steel construction

DESCRIPTION

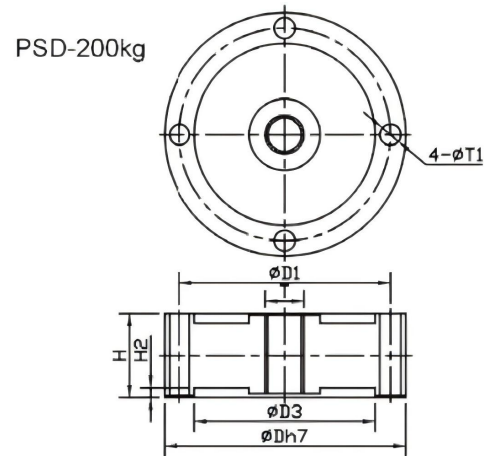
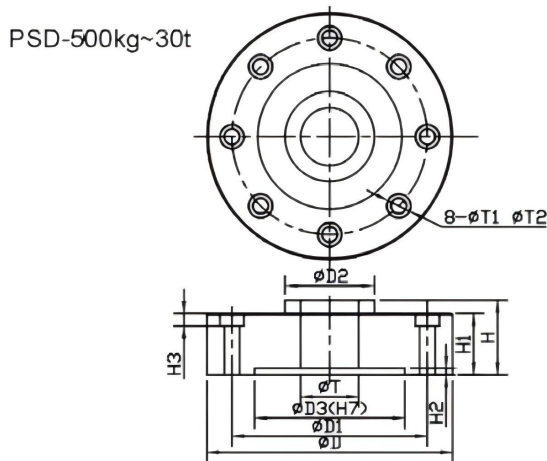
The PSD-SJTT sensor with low section is specially designed for the experimental machine

It can meet the requirements of different precision tests, and can also be used as various force measurements

APPLICATIONS

- Experimental machine
- Strength measurement

OUTLINE DIMENSIONS in mm



CAPACITY		D	D1	D2	D3	H	H1	H2	T	T1	T2	H3
200kg	mm	75	65.5	----	56	26	----	3.0	M12 - 6H	6.5	----	----
	(inch)	2.95	2.58	----	2.20	1.02	----	0.12	----	0.25	----	----
500kg/1t	mm	90	78	22	65	43	40	3.0	M12 x 1.75	6.6	10.5	6.0
	(inch)	3.54	3.07	0.87	2.56	1.69	1.57	0.12	----	0.26	0.41	0.24
1.5/2.5t	mm	105	89.0	32.0	75.0	35.0	32	3.0	M16 x 2	7.2	10.5	7.2
	(inch)	4.13	3.5	1.26	2.95	1.38	1.26	0.12	----	0.25	----	----
5t/10t	mm	138	110.0	44.0	88.0	46.0	41.0	3.0	M27 x 2	13.2	19.0	12
	(inch)	5.43	4.33	1.73	3.46	1.81	1.62	0.12	----	0.52	0.75	0.47
20t/25t/30t	mm	165	130.0	55.0	96.0	50.0	41.0	3.0	M36 x 2	21.0	31.0	20
	(inch)	6.5	5.11	2.17	3.78	1.97	1.62	0.12	----	0.83	1.22	0.79

All dimensions in mm

**SPECIFICATIONS**

PARAMETER	VALUE	UNIT
Standard capacities (E _{max}) (Aluminum)	200kg, 500kg, 1t,2t,5t,10t,20t,25t,30t	
Rated output—R.O.	3mV/V±0.25%	mV/V
Non-repeatability	0.02	±% of rated output
Non-linearity	0.05	±% of rated output
Hysteresis	0.05	±% of rated output
Creep error (20 minutes)	0.03	±% of rated output
Zero return (20 minutes)	0.03	±% of rated output
Temperature effect on min. dead load output	0.0026	±% of rated output/°C
Temperature effect on sensitivity	0.0015	±% of rated output/°C
Compensated temperature range	-10 to +40	°C
Operating temperature range	-20 to +60	°C
Safe overload	150	% of R.C.
Ultimate overload	300	% of R.C.
Excitation, recommended	10	VDC or VAC RMS
Excitation, maximum	15	VDC or VAC RMS
Input impedance	385±5	Ohms
Output impedance	350±3	Ohms
Insulation resistance	>5000	Mega-Ohms
Zero balance	±1 %	±% of rated output

200 kg : 1210±20

200 kg : 1050±20

Note: PSD-200 KGSJTT output is 2.0mv/v



Disclaimer

ALL PRODUCTS, PRODUCT SPECIFICATIONS AND DATA ARE SUBJECT TO CHANGE WITHOUT NOTICE.

Vishay Precision Group, Inc., its affiliates, agents, and employees, and all persons acting on its or their behalf (collectively, "Vishay Precision Group"), disclaim any and all liability for any errors, inaccuracies or incompleteness contained herein or in any other disclosure relating to any product.

The product specifications do not expand or otherwise modify Vishay Precision Group's terms and conditions of purchase, including but not limited to, the warranty expressed therein.

Vishay Precision Group makes no warranty, representation or guarantee other than as set forth in the terms and conditions of purchase. **To the maximum extent permitted by applicable law, Vishay Precision Group disclaims (i) any and all liability arising out of the application or use of any product, (ii) any and all liability, including without limitation special, consequential or incidental damages, and (iii) any and all implied warranties, including warranties of fitness for particular purpose, non-infringement and merchantability.**

Information provided in datasheets and/or specifications may vary from actual results in different applications and performance may vary over time. Statements regarding the suitability of products for certain types of applications are based on Vishay Precision Group's knowledge of typical requirements that are often placed on Vishay Precision Group products. It is the customer's responsibility to validate that a particular product with the properties described in the product specification is suitable for use in a particular application.

No license, express, implied, or otherwise, to any intellectual property rights is granted by this document, or by any conduct of Vishay Precision Group.

The products shown herein are not designed for use in life-saving or life-sustaining applications unless otherwise expressly indicated. Customers using or selling Vishay Precision Group products not expressly indicated for use in such applications do so entirely at their own risk and agree to fully indemnify Vishay Precision Group for any damages arising or resulting from such use or sale. Please contact authorized Vishay Precision Group personnel to obtain written terms and conditions regarding products designed for such applications.

Product names and markings noted herein may be trademarks of their respective owners.