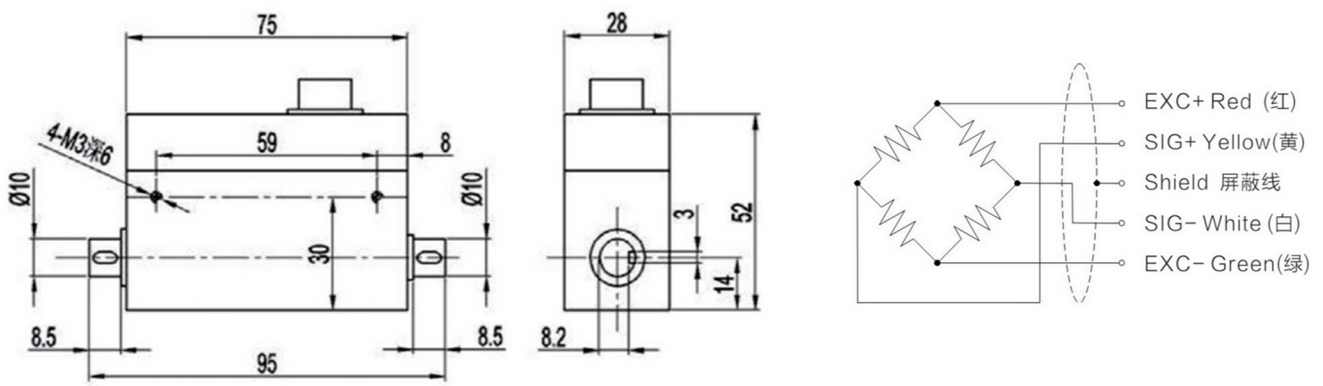


## FEATURES 特色功能

- 电阻应变为敏感元件和集成电路构成的一体产品
  - 精度高，性能稳定可靠
  - 电刷供电，可测量正反两方向扭矩值
  - 两端均为键连接，安装使用方便
  - 最高测量转速 4000 转 / 分钟
- 
- The resistance strain is an intergrated product consisting of ensitive components and integrated circuits
  - High accuracy, stable and reliable performance
  - Brush power supply, can measure the positive and negative two direction torque value
  - The two ends are connected by keys, and the installation and use are convenient
  - The highest measuring speed is 4000 revolutions per minute

## DIMENSION&WIRING 尺寸 & 接线图



## SPECIFICATIONS 参数

Rated capacity	额定容量	0.1/0.2/0.3/0.5/1/2/3/5Nm
Output sensitivity	输出灵敏度	1.0~1.5mV/V
Zero balance	零点输出	±1%F.S.
Non-linearity	非线性	0.2%F.S.
Hysteresis	滞后	0.2%F.S.
Repeatability	重复性	0.1%F.S.
Creep(30min)	蠕变 (30min)	0.2%F.S.
Temp. effect on sensitivity	温度灵敏度漂移	0.1%F.S./10℃
Temp.effect on zero	零点温度漂移	0.1%F.S./10℃
Input impedance	输入电阻	350±10Ω
Output impedance	输出电阻	350±10Ω
Insulation	绝缘电阻	≥2000MΩ/100VDC
Recommended excitation	激励电压	12V
Max excitation voltage	最大激励电压	20V
Compensated temp range	温度补偿范围	-10~60℃
Working temp range	工作温度范围	-30~60℃
Safe load limit	安全载荷	120%F.S.
Breaking load	破坏负载	150%F.S.
Cable length	电缆线长度	3m
IP class	防护等级	IP66