

DATA SHEET



Document No. : DAT00014 Ver. :007

1. 1-MB35...-1 Technical data:

技术参数 (Technical data)	单位 (Unit)	MB35	MB35C3
精确度等级 (OIML R60)		D1	C3
额定载荷 Emax (Max. capacity)	kg	220,550,1100,1760	
最小检定分度值 (V _{min})	% of Emax	0.0214	0.0100
灵敏度 (Sensitivity)	mV/V	2	2
灵敏度误差 (Sensitivity tolerance)	%	±0.1	±0.1000
温度对零点影响 (TC Zero)	% of Cn/10K	±0.0300	±0.0140
温度对灵敏度影响 (TC Span)	% of Cn/10K	±0.0200	±0.0140
非线性误差 (Non-linearity)	% of Cn	±0.0200	±0.0170
滞后误差 (Hysteresis error)	% of Cn	±0.0200	±0.0170
蠕变及蠕变恢复 (30mins) (Creep, MDLR)	%/30min	±0.0200	±0.0166
零点平衡 (Zero balance)	mV/V	0±0.01	
输入电阻 (Input resistance)	Ω	>350	
输出电阻 (Output resistance)	Ω	350±2	
参考电压 (Uref)	V	5	
工作电压范围 (Bu)	V	5...15	
绝缘电阻 (Insulation resistance)	G Ω/100V	>5	
额定温度范围 (Nominal temperature rang)	℃	-10~+40	
工作温度范围 (Service temperature range)	℃	-30~+70	
存储温度范围 (Storage temperature range)	℃	-50~+85	
安全承载 (Safe load limit)	% of Emax	150	
极限侧载 (Lateral load limit)	% of Emax	100	
破坏载荷 (Breaking load)	% of Emax	300	
允许动态载荷 (Permissible dynamic load) (according to DIN 50100)	% of Emax	70	
最大载荷下变形量 (Deflection at Max. capacity), approx.	mm	0.5	
重量 (Weight approx.)	kg	0.9	
保护等级 (IP)		IP66	
Material: 弹性体 (Measuring element) 电缆连接 (Cable grounding) 电缆护套 (Cable-sheath)		Alloy steel Stainless steel/Sealing:Viton PVC	

DATA SHEET

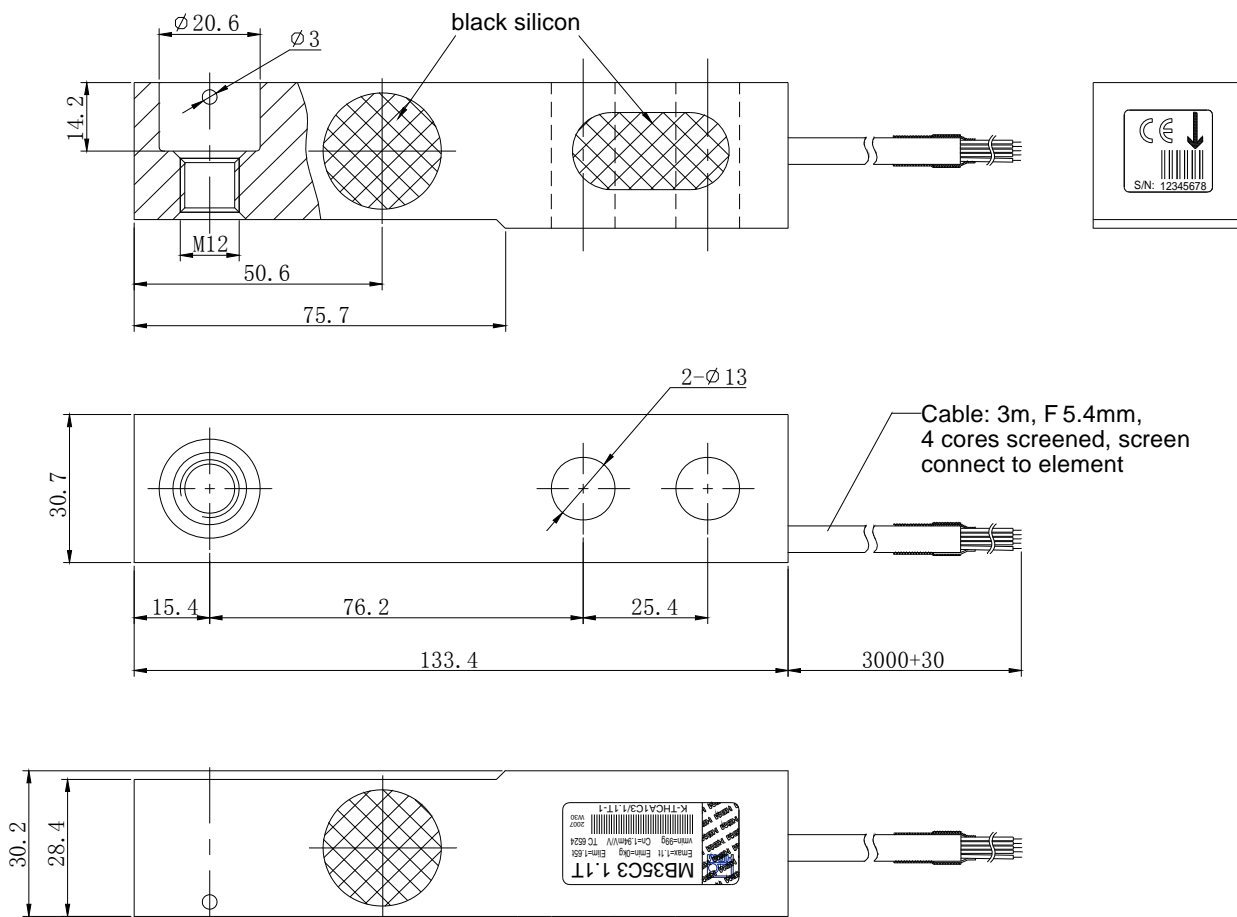


Document No. : DAT00014 Ver. :007

2. 1-MB35...-1 Part Number Description

Part Number	Description	Detailed description
1-MB35C3/220KG-1	MB35C3/220kg	L/C 2MV/V, C3, M12 THD
1-MB35C3/550KG-1	MB35C3/550kg	L/C 2MV/V, C3, M12 THD
1-MB35C3/1.1T-1	MB35C3/1.1t	L/C 2MV/V, C3, M12 THD
1-MB35C3/1.76T-1	MB35C3/1.76t	L/C 2MV/V, C3, M12 THD
1-MB35/220KG-1	MB35D1/220kg	L/C 2MV/V, D1, M12 THD
1-MB35/550KG-1	MB35D1/550kg	L/C 2MV/V, D1, M12 THD
1-MB35/1.1T-1	MB35D1/1.1t	L/C 2MV/V, D1, M12 THD
1-MB35/1.76T-1	MB35D1/1.76t	L/C 2MV/V, D1, M12 THD

3. 1-MB35...-1 Mounting dimension:



Cable:

Shielded 4-core round cable(19/0.127mm) with PVC-jacket

Wiring code:

Excitation voltage + : green
 Signal+ : white
 Signal - : red
 Excitation voltage - : black
 Shield: Yellow, connect to element

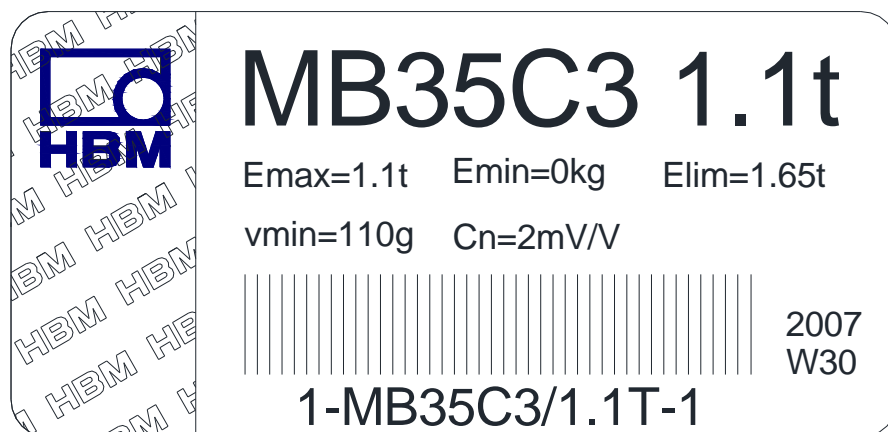
DATA SHEET



Document No. : DAT00014 Ver. :007

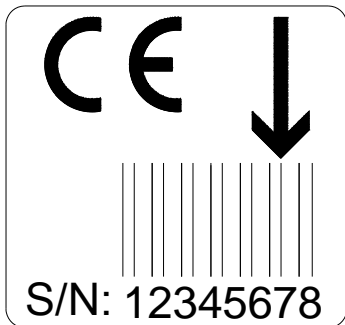
4. Label:

4.1 Type label (according to drawing No.: 530.00-3072.4)



Part Number	Type	Emax	Emin	Elim	vmin	Cn
1-MB35C3/220KG-1	MB35C3 220kg	220kg	0kg	330kg	22g	2mV/V
1-MB35C3/550KG-1	MB35C3 550kg	550kg	0kg	825kg	55g	2mV/V
1-MB35C3/1.1T-1	MB35C3 1.1t	1.1t	0%	1.65t	110g	2mV/V
1-MB35C3/1.76T-1	MB35C3 1.76t	1.76t	0kg	2.64t	176g	2mV/V
1-MB35/220KG-1	MB35 220kg	220kg	0kg	330kg	47	2mV/V
1-MB35/550KG-1	MB35 550kg	550kg	0kg	825kg	118	2mV/V
1-MB35/1.1T-1	MB35 1.1t	1.1t	0kg	1.65t	235	2mV/V
1-MB35/1.76T-1	MB35 1.76t	1.76t	0kg	2.64t	377	2mV/V

4.2 Serial number label (according to drawing No.: 530.00-3073.4 LO2-3)



4.3 Individual package label



Type	SAP Part Number
MB35C3 220kg	1-MB35C3/220KG-1
MB35C3 550kg	1-MB35C3/550KG-1
MB35C3 1.1t	1-MB35C3/1.1T-1
MB35C3 1.76t	1-MB35C3/1.76T-1
MB35 220kg	1-MB35/220KG-1
MB35 550kg	1-MB35/550KG-1
MB35 1.1t	1-MB35/1.1T-1
MB35 1.76t	1-MB35/1.76T-1

DATA SHEET



Document No. : DAT00014 Ver. :007

4.4 Outer package label

Hottinger Baldwin Measurement (Suzhou) Ltd. 106 Hengshan Road, Suzhou Jiangsu, P.R. China 215009		
<h3>1-MB35C3/220KG-1</h3>		
TYPE: MB35C3/220k		
PCS 1234 	盖合格章区 SEAL	
PO 1234567890 No.		
PACKING DATE: YYYY-MM-DD		

Part Number	Type
1-MB35C3/220KG-1	MB35C3/220kg
1-MB35C3/550KG-1	MB35C3/550kg
1-MB35C3/1.1T-1	MB35C3/1.1t
1-MB35C3/1.76T-1	MB35C3/1.76t
1-MB35/220KG-1	MB35/220kg
1-MB35/550KG-1	MB35/550kg
1-MB35/1.1T-1	MB35/1.1t
1-MB35/1.76T-1	MB35/1.76t

编制:

审核:

批准: