

## Precision Shear Web Disk

### FEATURES

- Capacities: 0.2, 0.5, 1, 1.5, 2.5, 5, 10, and 25 tons
- Compact size with low profile
- Low deflection for high output
- Electroless nickel-plated alloy tool steel construction
- Off center load compensated
- OIML C3 available for whole series
- Optional
  - PSD-SJTT and PSD-SJTH with different loading holes



### APPLICATIONS

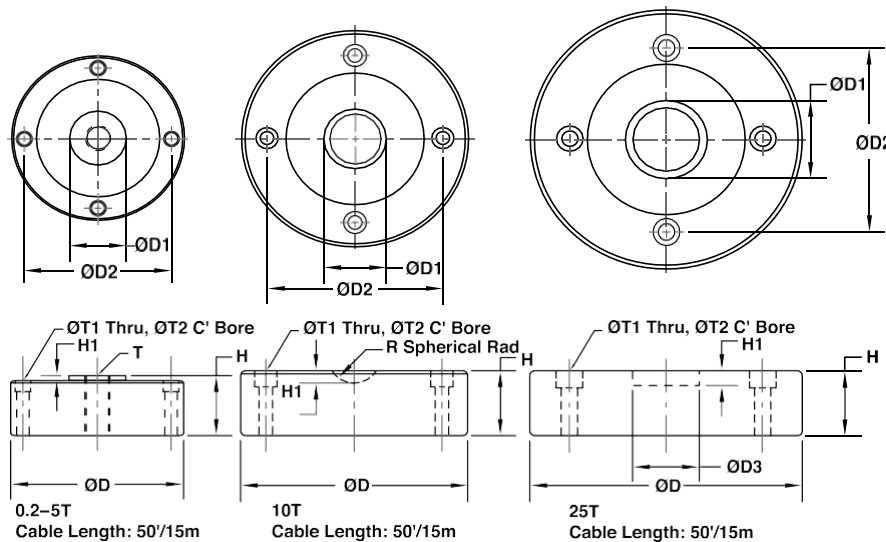
- Testing machines
- Platform scales
- Hopper and vessel weighing
- Truck scales

### DESCRIPTION

A low profile design that makes PSD the most suitable application concerning critical height for safety reasons. The shear web design provides excellent performance

even when side forces are inevitable in normal operations. The typical example for side force resistance is the application in motor truck scales. PSD is constructed of alloy steel and is fully potted with special chemical compounds to IP67 to protect the cell from water and moisture attack.

### OUTLINE DIMENSIONS



#### Wiring

- + Excitation Red
- Excitation Black
- + Signal Green
- Signal White

CAPACITY		D	D <sub>1</sub>	D <sub>2</sub>	D <sub>3</sub>	H	H <sub>1</sub>	R	T	T <sub>1</sub>	T <sub>2</sub>
0.2T/5T	mm	104.7	32.0	88.9	----	34.8	3.05	----	M16x1.5	7.2	10.5 x 7.2DP
	(inch)	4.12	1.26	3.50	----	1.37	0.12	----		0.28	0.41 x 0.28DP
10T	mm	138.0	38.9	106.4	----	41.1	7.62	22.2	----	8.7	13.5 x 9.7DP
	(inch)	5.43	1.53	4.19	----	1.62	0.30	0.87	----	0.34	10.5 x 7.2DP
25T	mm	165.0	50.4	116.8	42.0	41.1	8.0	----	----	10.3	15.9 x 10.2DP
	(inch)	6.50	1.98	4.60	1.65	1.62	0.31	----	----	0.41	0.63 x 0.40DP

PSD轮辐传感器  
特性

- 量程2.5, 5, 10, 25吨
- 低截面的紧凑设计
- 高输出小变形
- 合金钢无电解镀镍
- 偏心加载补偿
- 整个系列获得OIML C3认证

可选特性

- PSD-SJTT和PSD-SJTH具有不同的加载孔

描述

低截面设计使得PSD更适合在因安全因素对高度有严格要求的条件安装。在通常工作条件下不可避免地会出现侧向力，而轮辐式传感器设计仍会提供卓越的性能。汽车衡是典型的抗侧向力的例子。

PSD为合金钢结构采用化学镀方式防护等级达到P67，有效的防止水和潮气的侵蚀。

应用

- 平台秤
- 料斗/筒槽称重
- 汽车衡

### Precision Shear Web Disk

SPECIFICATIONS			
参数 PARAMETER	VALUE		UNIT
精度等级 NTEP/OIML accuracy class	C3	Non-Approved	
最大分度数Maximum no. of intervals (n)	3000	1000	
$Y = E_{max}/V_{min}$	8000	5000	Maximum available
额定量程 Standard capacities ( $E_{max}$ )	200, 500, 1000, 1500, 2500, 5000, 10000, 25000		kg
灵敏度 Rated output—R. O.	3.0**		mV/V

额定输出误差 Rated output tolerance	0.25		±% of rated output
零点平衡 Zero balance	1		±% of rated output
非线性 Non-linearity	0.025		±% of rated output
滞后性 Hysteresis	0.025		±% of rated output
非重复性 Non-repeatability	0.020		±% of rated output
蠕变 (20分钟) Creep error (20 minutes)	0.030		±% of rated output
零点回复 (20分钟) Zero return (20 minutes)	0.030		±% of rated output
零点温度补偿 Temperature effect on min. dead load output	0.0017	0.0026	±% of rated output/°C
输出温度补偿 Temperature effect on sensitivity	0.0010	0.0015	±% of applied load/°C
温度补偿范围 Compensated temperature range	- 10 to +40		°C
工作温度范围 Operating temperature range	- 20 to +60		°C
安全过载 Safe overload	150		% of R. C.
极限过载 Ultimate overload	300		% of R. C.
建议激励电压 Excitation, recommended	10		VDC or VAC RMS
最大激励电压 Excitation, maximum	15		VDC or VAC RMS
输入阻抗 Input impedance	385±5		Ω

输出阻抗 Output impedance	350±3	Ω
绝缘阻抗 Insulation resistance	>5000	MΩ
材质 Construction	合金钢镀镍 Nickel-plated alloy steel*	
防护等级 Environmental protection	IP67	

\* 200 kg is made of aluminum.

\*\* 200 kg is 2 mV/V.

All specifications subject to change without notice.

## Disclaimer

ALL PRODUCTS, PRODUCT SPECIFICATIONS AND DATA ARE SUBJECT TO CHANGE WITHOUT NOTICE.

Vishay Precision Group, Inc., its affiliates, agents, and employees, and all persons acting on its or their behalf (collectively, "VPG"), disclaim any and all liability for any errors, inaccuracies or incompleteness contained herein or in any other disclosure relating to any product.

The product specifications do not expand or otherwise modify VPG's terms and conditions of purchase, including but not limited to, the warranty expressed therein.

VPG makes no warranty, representation or guarantee other than as set forth in the terms and conditions of purchase. To the maximum extent permitted by applicable law, VPG disclaims (i) any and all liability arising out of the application or use of any product, (ii) any and all liability, including without limitation special, consequential or incidental damages, and (iii) any and all implied warranties, including warranties of fitness for particular purpose, non-infringement and merchantability.

Information provided in datasheets and/or specifications may vary from actual results in different applications and performance may vary over time. Statements regarding the suitability of products for certain types of applications are based on VPG's knowledge of typical requirements that are often placed on VPG products. It is the customer's responsibility to validate that a particular product with the properties described in the product specification is suitable for use in a particular application. You should ensure you have the current version of the relevant information by contacting VPG prior to performing installation or use of the product, such as on our website at [vpgsensors.com](http://vpgsensors.com).

No license, express, implied, or otherwise, to any intellectual property rights is granted by this document, or by any conduct of VPG.

The products shown herein are not designed for use in life-saving or life-sustaining applications unless otherwise expressly indicated. Customers using or selling VPG products not expressly indicated for use in such applications do so entirely at their own risk and agree to fully indemnify VPG for any damages arising or resulting from such use or sale. Please contact authorized VPG personnel to obtain written terms and conditions regarding products designed for such applications.

Product names and markings noted herein may be trademarks of their respective owners.

Copyright Vishay Precision Group, Inc., 2014. All rights reserved.